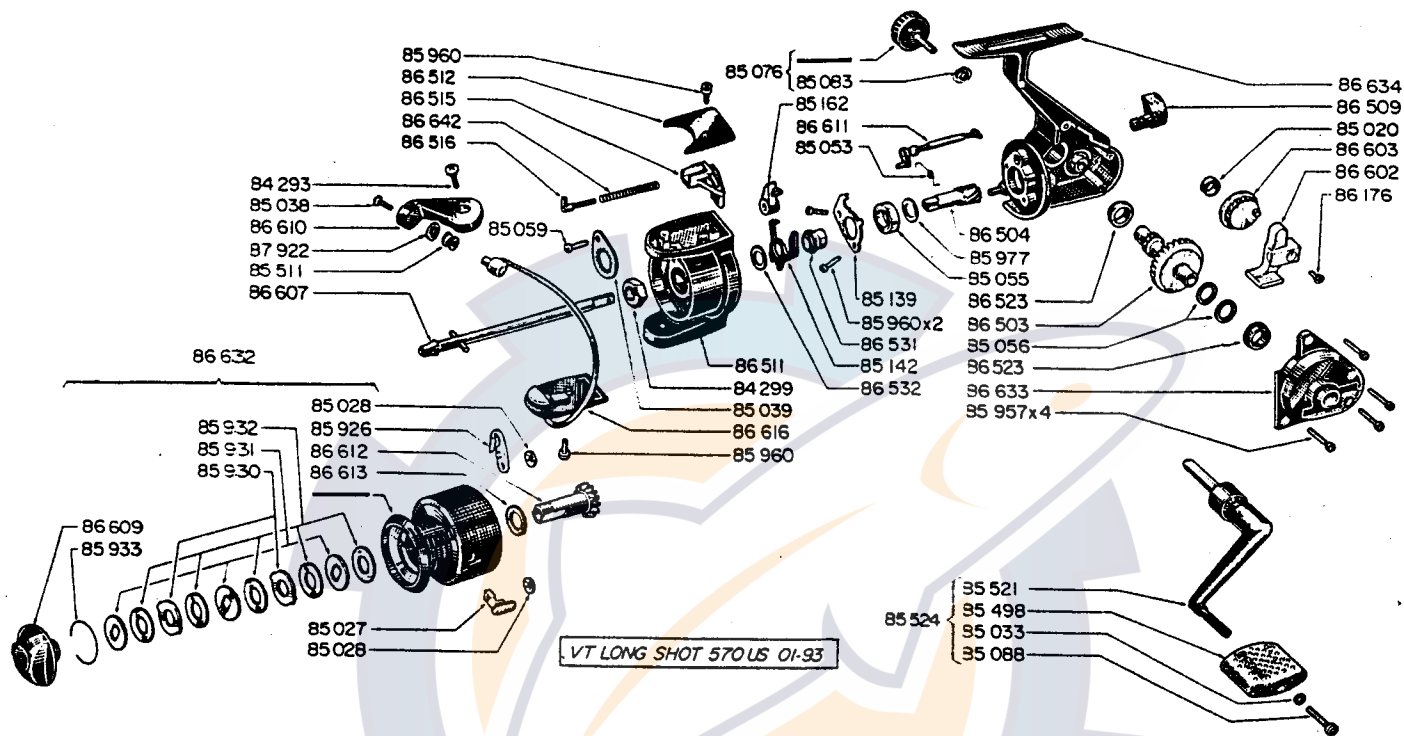




570 Long shot



Part No.	Description	Part No.	Description
8429300	BAIL ARM SCREW	8596000	RETAINING SCREW
8429900	ROTATING HEAD HEX NUT	8597700	BEARING WASHER
8502000	CROSS WIND BUSHING	8617600	OSCILLATION SLIDE SCREW
8502700	LINE CLIP	8650300	DRIVE GEAR
8502800	RETAINING CLIP	8650400	PINION GEAR
8503300	HANDLE KNOB WASHER	8650900	ANTI-REVERSE BUTTON
8503800	LINE GUIDE SCREW	8651100	ROTATING HEAD
8503900	HEX NUT LOCKING RING	8651200	COVER PLATE N1
8505300	ANTI-REVERSE SHAFT SPRING	8651500	TRIP LEVER
8505500	BALL BEARING	8651600	BAIL SPRING PIN
8505600	SHIM - DRIVE GEAR	8652300	BUSHING
8505900	MOUNTING SCREW	8653100	ANTI-REVERSE BUSHING
8507600	HANDLE CAP SCREW W/ WASHER	8653200	WASHER
8508300	CAP SCREW WASHER	8660200	OSCILLATION SLIDE
8508800	HANDLE KNOB SCREW	8660300	CROSS WIND GEAR
8513900	BEARING RETAINER	8660700	AXLE
8514200	ANTI-REVERSE FRICTION	8660900	DRAG KNOB
8516200	ANTI-REVERSE DOG	8661000	BAIL ARM
8549800	HANDLE KNOB	8661100	ANTI-REVERSE SHAFT
8551100	LINE GUIDE	8661200	SPOOL SPINDLE
8552100	HANDLE ARM	8661300	BASE DRAG WASHER
8552400	HANDLE	8661600	BAIL WIRE W/ COVER PLATE
8592600	SPOOL CLICK	8663200	SPOOL
8593000	EARED DRAG WASHER	8663300	SIDE PLATE
8593100	KEYED DRAG WASHER	8663400	HOUSING
8593200	DRAG WASHER	8664200	BAIL SPRING
8593300	DRAG RETAINER	8792200	LINE GUIDE RACE
8595700	SIDE PLATE SCREW		